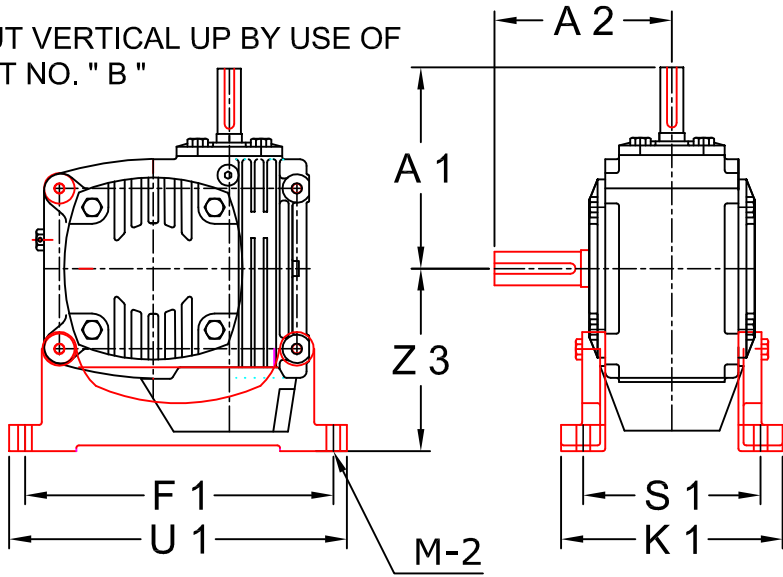


WORM REDUCERS ADAPTABLE TYPE

INPUT VERTICAL UP BY USE OF FOOT NO. " B "



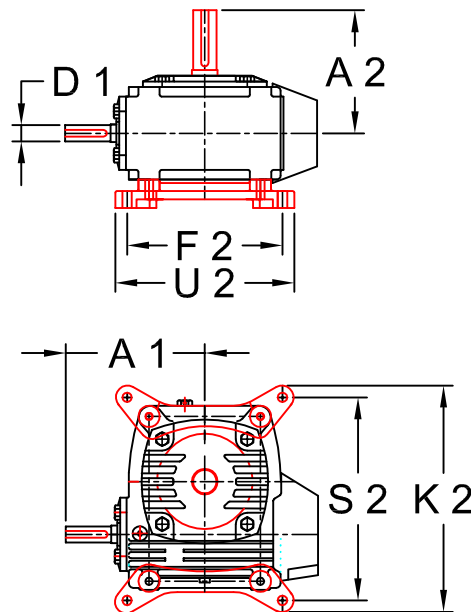
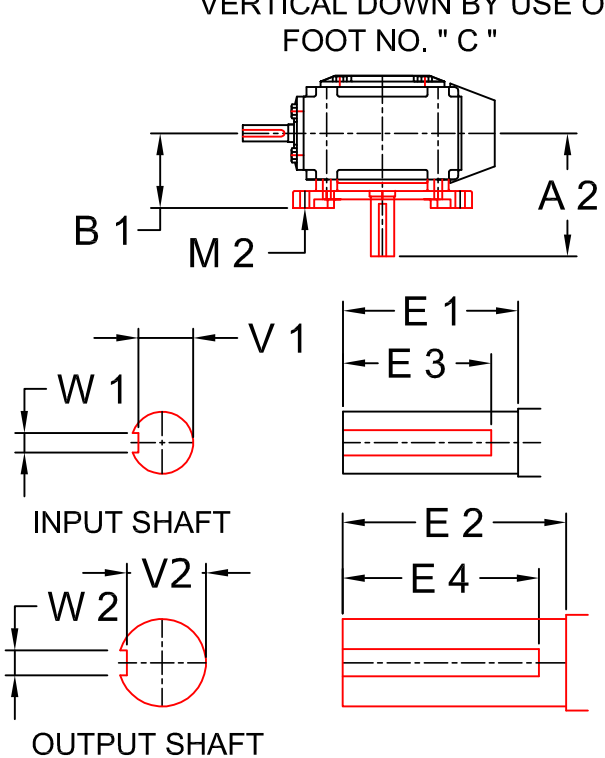
PRINCIPAL DIMENSIONS (M.M.)

MOUNTING DETAILS.

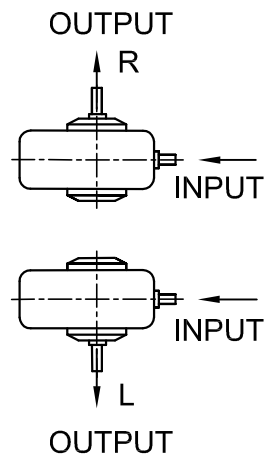
C	Z 3	F 1	U 1	S 1	K 1
30	67	152	180	82	104
42	77	176	205	99	126
50	141	215	249	114	142
55	141	215	249	114	142
60	170	238	272	142	182
72	207	287	320	166	206
84	228	328	365	196	240
100	245	328	365	190	234

OVERALL DIMS.		OUTPUT DETAILS.						INPUT DETAILS.					MOUNTING DETAILS.					
SIZE C	A1	A2	D2	E2	E4	V2	W2	D1	E1	E3	V1	W1	B 1	K 2	M 2	F 2	S 2	U 2
30	93	84	16	35	29	13	5	11	29	24	8.5	4	52	152	9	105	138	128
42	118	102	19	48	43	15.5	6	16	41	36	13	5	66	180	9	118	166	144
50	133	124	25	57	52	21	8	16	48	43	13	5	75	222	11	152	202	178
55	145	126	28	60	55	24	8	19	50	45	15.5	6	77	231	11	162	218	178
60	162	145	28	70	65	24	8	19	57	52	15.5	6	87	260	11	174	235	206
72	190	168	32	82	77	27	10	22	64	59	18.5	6	101	301	12.7	212	277	240
84	217	204	38	98	93	33	10	25	80	75	21	8	118	350	12.7	238	316	274
100	211	188	44	85	80	38.5	14	32	66	61	27	10	118	373	13	260	344	298

VERTICAL DOWN BY USE OF FOOT NO. " C "



VERTICAL UP BY USE OF FOOT NO. " C "



SHAFT HANDLING VERTICAL UP & INPUT VERTICAL UP